

# Replacement Parts List

## Notes:

### \*Important safety notice:

Components identified by Δ mark have special characteristics important for safety. Furthermore, special parts which have purposes of fire-retardant (resistors), high-quality sound (capacitors), low-noise (resistors), etc. are used. When replacing any of components, be sure to use only manufacturer's specified parts shown in the parts list.

\*The parenthesized indications in the Remarks columns specify the areas. (Refer to the cover page for area.)

Parts without these indications can be used for all areas.

\*[M] Indicates in Remarks columns parts that are supplied by MESA.

Ref. No.	Part No.	Part Name & Description	Pcs	Remarks	Ref. No.	Part No.	Part Name & Description	Pcs	Remarks
1	RKM0342-K	TOP CABINET	1	[M]	C132	ECBT1H102KB5	50V 1000P	1	[M]
2	RGR0252E-A	REAR PANEL	1	[M] (E, EG)	C133	ECBT1H150JC5	50V 15P	1	[M]
2	RGR0252E-B	REAR PANEL	1	[M] (EB)	C134	ECBT1H180JC5	50V 18P	1	[M]
3	RGW0243A-K	VOLUME KNOB	1	[M]	C135, 36	ECBT1C103K55	16V 0.01U	2	[M]
4	RKA0079-A	FOOT	4	[M]	C137, 38	ECBT1H561KB5	50V 560P	2	[M]
5	RKQ0089-J	PCB SUPPORT	12	[M]	C139, 40	ECQB1H682JF3	50V 6800P	2	[M]
7	RMK0350	BOTTOM CHASSIS	1	[M]	C141-44	ECEA1HKA010B	50V 1U	4	[M]
8	RMN0372	FL HOLDER	1	[M]	C145	ECBT1H220JC5	50V 22P	1	[M]
9	SJS9231A	AC INLET COVER	1	[M]	C146	ECBT1H331KB5	50V 330P	1	[M]
10	RXX0182	HEAT SINK UNIT	1	[M]	C147	ECBT1H102KB5	50V 1000P	1	[M]
11	RGU1389B-K	SELECTOR BUTTON	1	[M]	C148, 49	ECBT1C103NS5	16V 0.01U	2	[M]
12	RGU1350E-K	MODE BUTTON	1	[M]	C150	ECBT1H104ZF5	50V 0.1U	1	[M]
13	RGW0216-K	tone knob	3	[M]	C172	ECBT1H331KB5	50V 330P	1	[M]
14	RHN90001	NUT	1	[M]	C173	ECEA1CKA220B	16V 22U	1	[M]
15	RGU1491-Q	6CH INPUT BUTTON	1	[M]	C174	ECEA1CKA101B	16V 100U	1	[M]
16	RFGGAAX710EK	FRONT PANEL ASS'Y	1	[M]	C175, 76	ECBT1C103NS5	16V 0.01U	2	[M]
17	SNE2129-3	SCREW	4	[M]	C181	ECBT1H471KB5	50V 470P	1	[M]
18	XTBS3+8JFZ1	SCREW	31	[M]	C196	ECBT1H102KB5	50V 1000P	1	[M]
19	XTB3+20JFZ	SCREW	12	[M]	C308, 09	ECEA0JKA101B	6.3V 100U	2	[M]
20	XTB3+8FFZ	SCREW	4	[M]	C311, 12	ECEA1EKA4R7B	25V 4.7U	2	[M]
21	RMN0450	LED SUPPORT	1	[M]	C329, 30	ECBT1H470J5	50V 47P	2	[M]
22	XTW3+15T	SCREW	7	[M]	C351, 52	ECEA0JKA101B	6.3V 100U	2	[M]
23	RHD26016	SCREW	1	[M]	C354, 55	ECBT1H104ZF5	50V 0.1U	2	[M]
24	XTBS26+10J	SCREW	17	[M]	C357, 58	ECBT1E103ZF5	25V 0.01U	2	[M]
25	RMN0313	LED SUPPORT	2	[M]	C373-75	ECEA1CKA470B	16V 47U	3	[M]
26	RMN0415	LED COVER	1	[M]	C381-88	ECEA1HKA3R3B	50V 3.3U	8	[M]
27	XTB3+30J	SCREW	2	[M]	C401, 02	ECEA1VKA4R7B	35V 4.7U	2	[M]
28	REM0069	FAN	1	[M]	C403, 04	ECBT1E103ZF5	25V 0.01U	2	[M]
29	RGU1492-K	MUTE/SLEEP BUTTON	1	[M]	C405, 06	ECBT1H101KB5	50V 100P	2	[M]
30	RGU1490-Q	SFC(S) BUTTON	1	[M]	C409, 10	ECEA1EU220B	25V 22U	2	[M]
31	RGU1352L-K	DOLBY BUTTON	1	[M]	C411, 12	ECBT1H101KB5	50V 100P	2	[M]
32	RGU1398-Q	HELP BUTTON	1	[M]	C413, 14	ECEA1CU100B	16V 10U	2	[M]
34	RWJ1812150KK	WIRE (12P)	1	[M]	C415, 16	ECBT1E103ZF5	25V 0.01U	2	[M]
35	RWJ1803290KQ	WIRE (3P)	2	[M]	C417, 18	ECBT1H101KB5	50V 100P	2	[M]
					C419-22	ECBT1H331KB5	50V 330P	4	[M]
A1	RAK-SA750WHP	REMOTE CONTROL	1	[M]	C423-26	ECBT1H101KB5	50V 100P	4	[M]
A2	RSA0010	LOOP ANTENNA UNIT	1	[M]	C427, 28	ECBT1H221KB5	50V 220P	2	[M]
Δ A3	RJA0019-2K	AC CORD	1	[M] (E, EG)	C428A	ECEA1HKN3R3B	50V 3.3U	1	[M]
Δ A3	VJA0733	AC CORD	1	[M] (EB)	C431, 32	ECEA1CU100B	16V 10U	2	[M]
A4	RSA0007	FM ANTENNA	1	[M]	C433, 34	ECBT1H101KB5	50V 100P	2	[M]
A5<1A>	RQT3970-B	INSTRUCTION MANUAL	1	[M] (EB)	C440	ECBT1E103ZF5	25V 0.01U	1	[M]
A5<1B>	RQT3971-E	INSTRUCTION MANUAL	1	[M] (E)	C451, 52	ECEA1HKA4R7B	50V 4.7U	2	[M]
A5<1C>	RQT3972-D	INSTRUCTION MANUAL	1	[M] (EG)	C453, 54	ECBT1H100JC5	50V 10P	2	[M]
A5<1D>	RQT3973-H	INSTRUCTION MANUAL	1	[M] (EG)	C455, 56	ECBT1H102KB5	50V 1000P	2	[M]
A5<1E>	RQT4006-1R	INSTRUCTION MANUAL	1	[M] (E)	C457, 58	ECEA1AKA330B	10V 33U	2	[M]
A6	RQA0117	WARRANTY CARD	1	[M]	C459, 60	ECFR1E223KR	25V 0.022U	2	[M]
A7	RQC00169	SERVICE CENTER LIST	1	[M]	C461, 62	ECFR1E682KR	25V 6800P	2	[M]
					C463, 64	ECEA1HKA4R7B	50V 4.7U	2	[M]
C101	ECBT1C103NS5	16V 0.01U	1	[M]	C465, 66	ECBT1E103ZF5	25V 0.01U	2	[M]
C103	ECBT1C103NS5	16V 0.01U	1	[M]	C469, 70	ECBT1H181KB5	50V 180P	2	[M]
C104	ECBT1H102KB5	50V 1000P	1	[M]	C471, 72	ECEA1VKA4R7B	35V 4.7U	2	[M]
C105	ECBT1H470J5	50V 47P	1	[M]	C473, 74	ECBT1E103ZF5	25V 0.01U	2	[M]
C106	ECBT1C103NS5	16V 0.01U	1	[M]	C475	ECBT1H101KB5	50V 100P	1	[M]
C107	ECBT1H473ZF5	50V 0.047U	1	[M]	C480	ECBT1E103ZF5	25V 0.01U	1	[M]
C108	ECBT1H8R2KC5	50V 8.2P	1	[M]	C482	ECEA1HKA4R7B	50V 4.7U	1	[M]
C109, 10	ECBT1C103NS5	16V 0.01U	2	[M]	C483	ECBT1H101KB5	50V 100P	1	[M]
C111	ECEA1EKA4R7B	25V 4.7U	1	[M]	C484	ECEA1HKA4R7B	50V 4.7U	1	[M]
C112	ECBT1C103NS5	16V 0.01U	1	[M]	C491-94	ECBT1H101KB5	50V 100P	4	[M]
C113	ECBT1H102KB5	50V 1000P	1	[M]	C501, 02	ECFR1E333KR	25V 0.033U	2	[M]
C114	ECEA1HKA3R3B	50V 3.3U	1	[M]	C503, 04	ECEA0JKA101B	6.3V 100U	2	[M]
C115	ECEA1EKA4R7B	25V 4.7U	1	[M]	C505, 06	ECFR1C104MR	16V 0.1U	2	[M]
C116	ECBT1C822MS5	16V 8200P	1	[M]	C507	ECBT1E103ZF5	25V 0.01U	1	[M]
C117	ECQB1H471JF3	50V 470P	1	[M]	C511, 12	ECEA1HKA3R3B	50V 3.3U	2	[M]
C118, 19	ECQB1H103JF3	50V 0.01U	2	[M]	C513, 14	ECBT1H150J5	50V 15P	2	[M]
C120, 21	ECEA1HKA010B	50V 1U	2	[M]	C515, 16	ECBT1H221KB5	50V 220P	2	[M]
C122	ECEA1HKA2R2B	50V 2.2U	1	[M]	C517, 18	ECBT1H330J5	50V 33P	2	[M]
C123	ECEA1HKA010B	50V 1U	1	[M]	C519-22	ECEA1VKA4R7B	35V 4.7U	4	[M]
C124	ECBT1H102KB5	50V 1000P	1	[M]	C523, 24	ECFR1E123KR	25V 0.012U	2	[M]
C125	ECBT1H150JC5	50V 15P	1	[M]	C525, 26	ECQB1H683JW3	50V 0.068U	2	[M]
C126	ECBT1H104ZF5	50V 0.1U	1	[M]	C527, 28	ECBT1C562KR5	16V 5600P	2	[M]
C127	ECEA1CKA220B	16V 22U	1	[M]	C529, 30	ECQB1H273JF3	50V 0.027U	2	[M]
C128	ECBT1C103NS5	16V 0.01U	1	[M]	C531, 32	ECBT1E103ZF5	25V 0.01U	2	[M]
C129, 30	ECEA0JKA101B	6.3V 100U	2	[M]	C533, 34	ECEA1CKA100B	16V 10U	2	[M]
C131	ECBT1C103NS5	16V 0.01U	1	[M]	C535	ECBT1H104ZF5	50V 0.1U	1	[M]
					C536	ECBT1E103ZF5	25V 0.01U	1	[M]

Ref. No.	Part No.	Part Name & Description	Pcs	Remarks	Ref. No.	Part No.	Part Name & Description	Pcs	Remarks
C537-39	ECEA1CKA100B	16V 10U	3	[M]	C904	ECA0JM102B	6.3V 1000U	1	[M]
C541, 42	ECEA1CKA470B	16V 47U	2	[M]	C906	ECEA0JKA101B	6.3V 100U	1	[M]
C551, 52	ECEA1HKA3R3B	50V 3.3U	2	[M]	C908	ECBT1E103ZF5	25V 0.01U	1	[M]
C553, 54	ECBT1H101KB5	50V 100P	2	[M]	C909-12	ECEA1VKA220B	35V 22U	4	[M]
C555, 56	ECBT1H221KB5	50V 220P	2	[M]	C913, 14	ECEA1VKA100B	35V 10U	2	[M]
C567, 58	ECBT1E103ZF5	25V 0.01U	2	[M]	C916	ECEA1HKA010B	50V 1U	1	[M]
C559, 60	ECEA1CKA100B	16V 10U	2	[M]	C917	ECEA1HKAR47B	50V 0.47U	1	[M]
C561, 62	ECEA1HKA3R3B	50V 3.3U	2	[M]	C918	ECEA0JKA221B	6.3V 220U	1	[M]
C563	ECBT1H101KB5	50V 100P	1	[M]	C920	ECEA1HKA010B	50V 1U	1	[M]
C565	ECBT1H221KB5	50V 220P	1	[M]	C932-34	ECBT1H101KB5	50V 100P	3	[M]
C567, 68	ECBT1E103ZF5	25V 0.01U	2	[M]	C937	ECBT1H101KB5	50V 100P	1	[M]
C581-84	ECEA0JKA101B	6.3V 100U	4	[M]	C955, 56	ECBT1H101KB5	50V 100P	2	[M]
C601, 02	ECEA1HKN3R3B	50V 3.3U	2	[M]	C1001, 02	ECEA1HKA010B	50V 1U	2	[M]
C603, 04	ECBT1H681KB5	50V 680P	2	[M]	C1003, 04	ECEA1HKA3R3B	50V 3.3U	2	[M]
C605, 06	ECEA1JU330B	63V 33U	2	[M]	C1005	ECEA1HKA010B	50V 1U	1	[M]
C607, 08	ECR1H100K5	50V 10P	2	[M]	C1007	ECFR1E223KR	25V 0.022U	1	[M]
C609, 10	ECBT1H221KB5	50V 220P	2	[M]	C1008	ECFR1E473KR	25V 0.047U	1	[M]
C611, 12	ECQV1H473JM3	50V 0.047U	2	[M]	C1009	ECEA0JU221B	6.3V 220U	1	[M]
C613, 14	ECBT1H681KB5	50V 680P	2	[M]	C1010-13	ECEA1CKA100B	16V 10U	4	[M]
C615	ECEA1JU330B	63V 33U	1	[M]	C1014	ECEA0JU221B	6.3V 220U	1	[M]
C616	ECEA2AU100B	100V 10U	1	[M]	C1015, 16	ECQV1H104JM3	50V 0.1U	2	[M]
C617	ECEA1JU220B	63V 22U	1	[M]	C1017	ECEA1HKAR47B	50V 0.47U	1	[M]
C618	ECEA2AN2R2SB	100V 2.2U	1	[M]	C1018	ECEA1HKA4R7B	50V 4.7U	1	[M]
C619	ECBT1H102KB5	50V 1000P	1	[M]	C1019	ECEA1HKAR47B	50V 0.47U	1	[M]
C621, 22	ECEA2AU100B	100V 10U	2	[M]	C1020	ECEA1HKA4R7B	50V 4.7U	1	[M]
C631-37	ECKR1H223ZF5	50V 0.022U	7	[M]	C1021	ECEA1HKAR15B	50V 0.15U	1	[M]
C639, 40	ECKR1H122KB5	50V 1200P	2	[M]	C1022	ECEA1HKA3R3B	50V 3.3U	1	[M]
C649, 50	ECEA2AU100B	100V 10U	2	[M]	C1023	ECQV1H154JM3	50V 0.15U	1	[M]
C651, 52	ECEA1HKN3R3B	50V 3.3U	2	[M]	C1024	ECEA1HKA3R3B	50V 0.15U	1	[M]
C653, 54	ECBT1H681KB5	50V 680P	2	[M]	C1025	ECQV1H154JM3	50V 0.15U	1	[M]
C655, 56	ECEA1JU330B	63V 33U	2	[M]	C1026	ECEA1HKAR15B	50V 0.15U	1	[M]
C657, 58	ECR1H100K5	50V 10P	2	[M]	C1027	ECEA1HKA4R7B	50V 4.7U	1	[M]
C659, 60	ECBT1H221KB5	50V 220P	2	[M]	C1028	ECEA1HKAR47B	50V 0.47U	1	[M]
C661, 62	ECQV1H473JM3	50V 0.047U	2	[M]	C1029	ECEA1HKA4R7B	50V 4.7U	1	[M]
C663, 64	ECBT1H681KB5	50V 680P	2	[M]	C1030	ECEA1HKAR47B	50V 0.47U	1	[M]
C667	ECEA1HKN3R3B	50V 3.3U	1	[M]	C1031, 32	ECQV1H104JM3	50V 0.1U	2	[M]
C668	ECBT1H681KB5	50V 680P	1	[M]	C1033	ECEA0JKA470B	6.3V 47U	1	[M]
C669	ECEA1JU330B	63V 33U	1	[M]	C1034	ECQV1H474JM3	50V 0.47U	1	[M]
C670	ECR1H100K5	50V 10P	1	[M]	C1035	ECBT1H681KB5	50V 680P	1	[M]
C671, 72	ECEA2AU100B	100V 10U	2	[M]	C1036-38	ECBT1H101KB5	50V 100P	3	[M]
C674	ECQV1H473JM3	50V 0.047U	1	[M]	C1039	ECEA1CU101B	16V 100U	1	[M]
C675	ECBT1H681KB5	50V 680P	1	[M]	C1040	ECEA1CKA100B	16V 10U	1	[M]
C680	ECBT1H221KB5	50V 220P	1	[M]	C1041	ECBT1E103ZF5	25V 0.01U	1	[M]
C681, 82	ECEA1HN100SB	50V 10U	2	[M]	C1051	ECEA1HKA2R2B	50V 2.2U	1	[M]
C683, 84	ECBT1C332KR5	16V 3300P	2	[M]	C1052	ECEA1HKAR33B	50V 0.33U	1	[M]
C685	ECBT1E103ZF5	25V 0.01U	1	[M]	C1053	ECEA1HKA3R3B	50V 3.3U	1	[M]
C691	ECBT1H102KB5	50V 1000P	1	[M]	C1054	ECEA0JU221B	6.3V 220U	1	[M]
C701	ECBT1E103ZF5	25V 0.01U	1	[M]	C1055	ECEA1HKAR47B	50V 0.47U	1	[M]
C702	ECQE2104KF3	250V 0.1U	1	[M]	C1056	ECFR1E823KR	25V 0.082U	1	[M]
△ C703, 04	EC0S1JP682CB	63V 6800U	2	[M]	C1057	ECFR1E332KR	25V 3300P	1	[M]
△ C705, 06	EC0S1VP562BB	35V 5600U	2	[M]	C1058	ECFR1E823KR	25V 0.082U	1	[M]
C707	ECA1VM101B	35V 100U	1	[M]	C1059	ECEA1CKA101B	16V 100U	1	[M]
C708	ECKR1H103ZF5	50V 0.01U	1	[M]	C1060	ECBT1E223ZF5	25V 0.022U	1	[M]
C709	ECEA1CKA330B	16V 33U	1	[M]	C1062	ECBT1E223ZF5	25V 0.022U	1	[M]
C710	ECBT1E103ZF5	25V 0.01U	1	[M]	C1063	ECEA1CKA101B	16V 100U	1	[M]
C711	ECKR1H103ZF5	50V 0.01U	1	[M]	C1064	ECEA1HKA010B	50V 1U	1	[M]
C712	ECEA1HKA100B	50V 10U	1	[M]	C1065	ECBT1H681KB5	50V 680P	1	[M]
C713	ECKR1H103ZF5	50V 0.01U	1	[M]	C1067, 68	ECBT1C152KR5	16V 1500P	2	[M]
C714	ECEA1EKA470B	25V 47U	1	[M]	C1151	ECEA1HKA010B	50V 1U	1	[M]
C715	ECEA1CKA101B	16V 100U	1	[M]	C1152	ECFR1C683KR	16V 0.068U	1	[M]
C721	ECQE2104KF3	250V 0.1U	1	[M]	C1153	ECFR1C273KR	16V 0.027U	1	[M]
△ C751	ECKWRS102MBC	1000P	1	[M]	C1154	ECEA1VKA4R7B	35V 4.7U	1	[M]
C752	ECKR1H103ZF5	50V 0.01U	1	[M]	C1156, 57	ECBT1E103ZF5	25V 0.01U	2	[M]
△ C753	ECA1EM102B	25V 1000U	1	[M]	C1159	ECEA1HKA010B	50V 1U	1	[M]
C754	ECBT1E103ZF5	25V 0.01U	1	[M]	C1161	ECBT1H101KB5	50V 100P	1	[M]
C755	ECEA1CKA470B	16V 47U	1	[M]					
C757	ECEA1CKA100B	16V 10U	1	[M]	CF201	RLFETMGD01L	CERAMIC FILTER	1	[M]
C758	ECEA1AKA101B	10V 100U	1	[M]	CF202	RLFETMGD01L	CERAMIC FILTER	1	[M]
C771, 72	ECEA1HKA4R7B	50V 4.7U	2	[M]	CF901	RVBCST4R00MT	CERAMIC FILTER	1	[M]
C773	ECBT1E223ZF5	25V 0.022U	1	[M]	CF902	RSXZ456KM07M	CERAMIC FILTER	1	[M]
C774	ECEA0JU101B	6.3V 100U	1	[M]	CF1051	EF0EC8004T4	CERAMIC FILTER	1	[M]
C775	ECFR1E223KR	25V 0.022U	1	[M]					
C901	ECA0JM102B	6.3V 1000U	1	[M]	CN101, 02	RJU057W007	CONNECTOR (7P)	2	[M]
C902	ECBT1H104ZF5	50V 0.1U	1	[M]	CN401-05	RJU100W07	CONNECTOR (7P)	5	[M]
C903	ECBT1E103ZF5	25V 0.01U	1	[M]	CN501	RJU100W07	CONNECTOR (7P)	1	[M]

Ref. No.	Part No.	Part Name & Description	Pcs	Remarks	Ref. No.	Part No.	Part Name & Description	Pcs	Remarks
CN502	RJU100W04	CONNECTOR (4P)	1	[W]	IC451	AN6558F	IC	1	[W]
CN751	SJS305-1	CONNECTOR (3P)	1	[W]	IC501	BAG218	IC	1	[W]
CN752	RJS1A6603	CONNECTOR (3P)	1	[W]	IC511	UPC4570C	IC	1	[W]
CN901-05	RJU003K010M1	CONNECTOR (10P)	5	[W]	IC551, 52	UPC4570C	IC	2	[W]
CN1001, 02	RJU100W07	CONNECTOR (7P)	2	[W]	△ IC601, 02	RSN3655A-P	IC	2	[W]
CP101, 02	RJT057W007-1	CONNECTOR (7P)	2	[W]	△ IC603	RSN33M5-P	IC	1	[W]
CP401-05	RJT100W07	CONNECTOR (7P)	5	[W]	IC901	M38B53M4053F	IC	1	[W]
CP501	RJT100W07	CONNECTOR (7P)	1	[W]	IC902	STK311-010	IC	1	[W]
CP502	RJT100W04	CONNECTOR (4P)	1	[W]	IC1001	LA2786L	IC	1	[W]
CP771	RJP3G4YA	CONNECTOR (3P)	1	[W]	IC1002	LV1016L	IC	1	[W]
CP901-05	RJT003K010-1	CONNECTOR (10P)	5	[W]	IC1003	TC9214P	IC	1	[W]
CP1001, 02	RJT100W07	CONNECTOR (7P)	2	[W]	IC1004	TC9162AN	IC	1	[W]
					IC1151	UPC4570C	IC	1	[W]
△ D101	MA4051MTA	DIODE	1	[W]	JK101	RJH4202	ANT TERMINAL	1	[W]
D102	MA165TA	DIODE	1	[W]	JK351	SJFD7-5	VCR1 IN TERMINAL	1	[W]
△ D351, 52	MTZJ5R6BTA	DIODE	2	[W]	JK353	SJF3069-3N	TV, VCR, DVD JACK	1	[W]
D353, 54	RVD1SS133TA	DIODE	2	[W]	JK354	SJF3069-16N	SURROUND TERMINAL	1	[W]
△ D401	MTZJ7R5CTA	DIODE	1	[W]	JK401	SJF3068-7N	PHONO TERMINAL	1	[W]
D403, 04	RVD1SS133TA	DIODE	2	[W]	JK402-04	SJF3069N	TAPE, DVD, VCR JACK	3	[W]
D581-84	MTZJ3R0ATA	DIODE	4	[W]	JK405	SJFD7	SUB WOOFER	1	[W]
D585, 86	RVD1SS133TA	DIODE	2	[W]	JK406	SJF3068-7N	CD TERMINAL	1	[W]
D601-03	SB360L6508	DIODE	3	[W]	JK601	RJR0054	SP TERMINAL	1	[W]
D604	RVD1SS133TA	DIODE	1	[W]	JK602	RJH5601	SP TERMINAL	1	[W]
D605	MTZJ6R2BTA	DIODE	1	[W]	JK603	RJR0054	SP TERMINAL	1	[W]
D606-08	RVD1SS133TA	DIODE	3	[W]	△ JK794	SJS9231-1B	AC INLET	1	[W]
D611-13	SB360L6508	DIODE	3	[W]					
D621-28	MA167ATA	DIODE	8	[W]	L101	ELESN1R0MA	COIL	1	[W]
D631-38	MA167ATA	DIODE	8	[W]	L103	ELEXTR47MA9	COIL	1	[W]
D654, 55	RVD1SS133TA	DIODE	2	[W]	L105, 06	RLQZB822KT-D	COIL	2	[W]
D658-60	RVD1SS133TA	DIODE	3	[W]	L151	SLM1B10M-1M	COIL	1	[W]
△ D701-04	P300DLF	DIODE	4	[W]	L191	ELESNR56MA	COIL	1	[W]
△ D705	MTZJ6R2BTA	DIODE	1	[W]	L501, 02	RLQZP1R0KT-Y	COIL	2	[W]
△ D707	MTZJ270TA	DIODE	1	[W]	L601, 02	RLQYR73MW-E	COIL	2	[W]
△ D708	MTZJ15CTA	DIODE	1	[W]	L651, 52	RLQYR73MW-E	COIL	2	[W]
△ D721-28	P300DLF	DIODE	8	[W]	L671	RLQYR73MW-E	COIL	1	[W]
△ D751-54	1SR35200TB	DIODE	4	[W]	L751	RLQB101KTA-Y	COIL	1	[W]
D755	RVD1SS133TA	DIODE	1	[W]	△ L791	SLQZ650MH49	COIL	1	[W]
△ D756	MTZJ6R8BTA	DIODE	1	[W]	L901	RLQB101KTA-Y	COIL	1	[W]
D771, 72	RVD1SS133TA	DIODE	2	[W]	L902	RLQZP101KT-Y	COIL	1	[W]
D773	MTZJ9R1CTA	DIODE	1	[W]	L1051	RLQB101KTA-Y	COIL	1	[W]
D774	RVD1SS133TA	DIODE	1	[W]					
D781, 82	RVD1SS133TA	DIODE	2	[W]	P1	RPN0966-1	PAD	1	[W]
D901	1SS291TA	DIODE	1	[W]	P2	RPF0005	MIRAMAT BAG	1	[W]
D903	MTZJ4R7BTA	DIODE	1	[W]	P3	RPG3481	PACKING CASE	1	[W] (E)
D908	MA167ATA	DIODE	1	[W]	P3	RPG3482	PACKING CASE	1	[W] (EB, EG)
D921	RVD1SS133TA	DIODE	1	[W]	P4	SPB1061	SHEET	1	[W]
D923	RVD1SS133TA	DIODE	1	[W]	P5	SPSD152	ACCESSORY BOX	1	[W]
△ D924	MTZJ3R9ATA	DIODE	1	[W]					
D925	RVD1SS133TA	DIODE	1	[W]	Q101	2SC2787LTA	TRANSISTOR	1	[W]
D929	LN846RP	LED	1	[W]	Q103, 04	2SC2785FETA	TRANSISTOR	2	[W]
D930	SLR342DC	LED	1	[W]	Q106	UN411FTA	TRANSISTOR	1	[W]
D936	SLR342WC	LED	1	[W]	Q107, 08	2SC3311AR	TRANSISTOR	2	[W]
△ D1001	MTZJ10CTA	DIODE	1	[W]	△ Q351	2SD592AQSTA	TRANSISTOR	1	[W]
D1002	WA700ATA	DIODE	1	[W]	△ Q352	2SB621AQSTA	TRANSISTOR	1	[W]
					Q401, 02	2SK381BCDTA	TRANSISTOR	2	[W]
E401	SNE1004-2	EARTH TERMINAL	1	[W]	Q481	2SD1915FTA	TRANSISTOR	1	[W]
E601	SNE1004-2	EARTH TERMINAL	1	[W]	Q501, 02	2SJ40C0TA	TRANSISTOR	2	[W]
					Q505, 06	2SD1915FTA	TRANSISTOR	2	[W]
△ F1	XBA2C25TB0	FUSE	1	[W]	Q551, 52	2SD1915FTA	TRANSISTOR	2	[W]
△ F3, F4	XBA2C63TB0	FUSE	2	[W]	Q571, 72	2SA1309AQSTA	TRANSISTOR	2	[W]
FC701, 02	EYF52BC	FUSE HOLDER	2	[W]	Q573, 74	2SC3311AQSTA	TRANSISTOR	2	[W]
FC705-08	EYF52BC	FUSE HOLDER	4	[W]	Q575	2SA1309AQSTA	TRANSISTOR	1	[W]
FL901	RSL0233-F	FL	1	[W]	Q576	2SC3311AQSTA	TRANSISTOR	1	[W]
HP601	RJ63TA01	HP JACK	1	[W]	Q581, 82	2SA1309AQSTA	TRANSISTOR	2	[W]
IC101	LA1832A	IC	1	[W]	Q583, 84	2SC3311AQSTA	TRANSISTOR	2	[W]
IC102	LC7218	IC	1	[W]	Q585, 86	2SA1309AQSTA	TRANSISTOR	2	[W]
IC351	NJW2279D	IC	1	[W]	Q601-03	DTA113ZSATP	TRANSISTOR	3	[W]
IC352	AN6554F	IC	1	[W]	Q609	DTC114ES	TRANSISTOR	1	[W]
IC401	TC9163AN	IC	1	[W]	Q610	DTC114TS	TRANSISTOR	1	[W]
IC402	UPC4570C	IC	1	[W]	Q611, 12	2SC3311AQSTA	TRANSISTOR	2	[W]
					Q681, 82	2SD1915FTA	TRANSISTOR	2	[W]
					△ Q701	2SD2374PQAU	TRANSISTOR	1	[W]
					△ Q703-05	2SC3311AQSTA	TRANSISTOR	3	[W]
					△ Q706	2SC3940AQSTA	TRANSISTOR	1	[W]

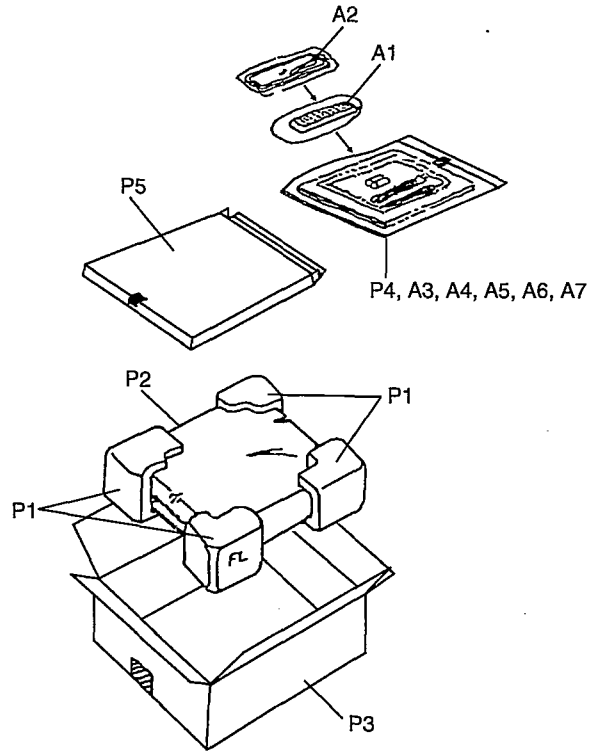
Ref. No.	Part No.	Part Name & Description	Pcs	Remarks
△ Q707	2SA1534AQ7A	TRANSISTOR	1	[W]
△ Q708	2SB1548PQAU	TRANSISTOR	1	[W]
Q751	DTC143XSTP	TRANSISTOR	1	[W]
△ Q752	2SC3940AQSTA	TRANSISTOR	1	[W]
Q771	2SA933STA	TRANSISTOR	1	[W]
Q772	2SC3311AQSTA	TRANSISTOR	1	[W]
Q773	2SB621AQRSTA	TRANSISTOR	1	[W]
Q774	DTA114ESTP	TRANSISTOR	1	[W]
Q775	2SA1309AQSTA	TRANSISTOR	1	[W]
Q776	2SC3311AQSTA	TRANSISTOR	1	[W]
Q777	2SA1309AQSTA	TRANSISTOR	1	[W]
Q778	DTA114TSTP	TRANSISTOR	1	[W]
Q779	RVTDTA114TST	TRANSISTOR	1	[W]
Q901	DTC114YS	TRANSISTOR	1	[W]
△ Q902	2SA933SSTA	TRANSISTOR	1	[W]
Q907, 08	DTC114YS	TRANSISTOR	2	[W]
Q909	2SC3311AR	TRANSISTOR	1	[W]
Q936	DTC114YS	TRANSISTOR	1	[W]
Q937	DTA114YSTP	TRANSISTOR	1	[W]
Q938	DTC114YS	TRANSISTOR	1	[W]
△ Q1001	2SC3940AQSTA	TRANSISTOR	1	[W]
Q1151	2SD1915FTA	TRANSISTOR	1	[W]
R103	ERDS2TJ101T	1/4W 100	1	[W]
R104	ERDS2TJ102T	1/4W 1K	1	[W]
R105	ERDS2TJ471T	1/4W 470	1	[W]
R106	ERDS2FJ224	1/4W 220K	1	[W]
R107	ERDS2TJ471T	1/4W 470	1	[W]
R110	ERDS2TJ102T	1/4W 1K	1	[W]
R112	ERDS2TJ104T	1/4W 100K	1	[W]
R113	ERDS2TJ103T	1/4W 10K	1	[W]
R114	ERDS2TJ562T	1/4W 5.6K	1	[W]
R115	ERDS2TJ561T	1/4W 560	1	[W]
R116	ERDS2TJ102T	1/4W 1K	1	[W]
R117	ERDS2TJ473T	1/4W 47K	1	[W]
R118	ERDS2TJ562T	1/4W 5.6K	1	[W]
R119	ERDS2FJ183	1/4W 18K	1	[W]
R120	ERDS2TJ473T	1/4W 47K	1	[W]
R121	ERDS2TJ332T	1/4W 3.3K	1	[W]
R122	ERDS2FJ272	1/4W 2.7K	1	[W]
R124	ERDS2TJ271T	1/4W 270	1	[W]
R125, 26	ERDS2TJ472T	1/4W 4.7K	2	[W]
R127	ERDS2TJ103T	1/4W 10K	1	[W]
R128	ERDS2TJ820T	1/4W 82	1	[W]
R129	ERDS2TJ473T	1/4W 47K	1	[W]
R130, 31	ERDS2TJ102T	1/4W 1K	2	[W]
R132	ERDS2TJ103T	1/4W 10K	1	[W]
R133-37	ERDS2TJ102T	1/4W 1K	5	[W]
R139, 40	ERDS2FJ272	1/4W 2.7K	2	[W]
R141, 42	ERDS2TJ102T	1/4W 1K	2	[W]
R143, 44	ERDS2TJ222T	1/4W 2.2K	2	[W]
R145	ERDS2TJ102T	1/4W 1K	1	[W] (E, EB)
R145	ERDS2TJ561T	1/4W 560	1	[W] (E, EG)
R146	ERDS2TJ102T	1/4W 1K	1	[W] (E, EB)
R146	ERDS2TJ561T	1/4W 560	1	[W] (E, EG)
R147, 48	ERDS2TJ474T	1/4W 470K	2	[W]
R149	ERDS2FJ680	1/4W 68	1	[W]
R171, 72	ERDS2TJ102T	1/4W 1K	2	[W]
R173	ERDS2TJ471T	1/4W 470	1	[W]
R175	ERDS2TJ102T	1/4W 1K	1	[W]
R176	ERDS2TJ391T	1/4W 390	1	[W]
R181	ERDS2TJ332T	1/4W 3.3K	1	[W]
R301-03	ERDS2TJ750T	1/4W 75	3	[W]
R341	ERDS2TJ273T	1/4W 27K	1	[W]
R342-44	ERDS2TJ104T	1/4W 100K	3	[W]
R345, 46	ERDS2TJ273T	1/4W 27K	2	[W]
R347-52	ERDS2TJ104T	1/4W 100K	6	[W]
R359	ERDS2TJ750T	1/4W 75	1	[W]
R362	ERDS2TJ750T	1/4W 75	1	[W]
R367, 68	ERDS2TJ102T	1/4W 1K	2	[W]
R369, 70	ERDS2TJ182T	1/4W 1.8K	2	[W]
△ R371, 72	ERD2FCG220	1/4W 22	2	[W]
R373-75	ERDS2TJ103T	1/4W 10K	3	[W]
R401, 02	ERDS2TJ102T	1/4W 1K	2	[W]
R405-16	ERDS2TJ102T	1/4W 1K	12	[W]

Ref. No.	Part No.	Part Name & Description	Pcs	Remarks
R417, 18	ERDS2TJ473T	1/4W 47K	2	[W]
R419-22	ERDS2TJ104T	1/4W 100K	4	[W]
R423, 24	ERDS2TJ102T	1/4W 1K	2	[W]
R425-27	ERDS2TJ103T	1/4W 10K	3	[W]
R428	ERDS2TJ332T	1/4W 3.3K	1	[W]
R433, 34	ERDS2TJ102T	1/4W 1K	2	[W]
R435	ERDS2TJ473T	1/4W 47K	1	[W]
△ R440	ERDS1FJ560	1/2W 56	1	[W]
R441, 42	ERDS2TJ473T	1/4W 47K	2	[W]
△ R443	ERDS1FJ560	1/2W 56	1	[W]
R451, 52	ERDS2FJ224	1/4W 220K	2	[W]
R453, 54	ERDS2TJ391T	1/4W 390	2	[W]
R455, 56	ERDS2TJ563T	1/4W 56K	2	[W]
R457, 58	ERDS2TJ271T	1/4W 270	2	[W]
R459, 60	ERDS2FJ680	1/4W 68	2	[W]
R461, 62	ERDS2FJ184	1/4W 180K	2	[W]
R463, 64	ERDS2TJ123T	1/4W 12K	2	[W]
R465, 66	ERDS2TJ563T	1/4W 56K	2	[W]
R467, 68	ERDS2TJ102T	1/4W 1K	2	[W]
R473, 74	ERDS2TJ102T	1/4W 1K	2	[W]
R477	ERDS2TJ103T	1/4W 10K	1	[W]
R478	ERDS2TJ104T	1/4W 100K	1	[W]
R479, 80	ERDS2TJ822T	1/4W 8.2K	2	[W]
R481	ERDS2TJ332T	1/4W 3.3K	1	[W]
R483	ERDS2TJ822T	1/4W 8.2K	1	[W]
R484	ERDS2TJ104T	1/4W 100K	1	[W]
R485	ERDS2FJ224	1/4W 220K	1	[W]
R486	ERDS2TJ102T	1/4W 1K	1	[W]
R487	ERDS2TJ472T	1/4W 4.7K	1	[W]
R501, 02	ERDS2TJ222T	1/4W 2.2K	2	[W]
R503-06	ERDS2TJ103T	1/4W 10K	4	[W]
R507	ERDS2TJ153T	1/4W 15K	1	[W]
△ R508	ERDS1FJ2R2	1/2W 2.2	1	[W]
R509, 10	ERDS2TJ103T	1/4W 10K	2	[W]
R511, 12	ERDS2TJ471T	1/4W 470	2	[W]
R513-16	ERDS2TJ474T	1/4W 470K	4	[W]
R517, 18	ERDS2TJ332T	1/4W 3.3K	2	[W]
R519, 20	ERDS2TJ182T	1/4W 1.8K	2	[W]
R521, 22	ERDS2TJ223T	1/4W 22K	2	[W]
R523, 24	ERDS2FJ392	1/4W 3.9K	2	[W]
R525, 26	ERDS2TJ222T	1/4W 2.2K	2	[W]
R527, 28	ERDS2TJ122T	1/4W 1.2K	2	[W]
R529, 30	ERDS2TJ273T	1/4W 27K	2	[W]
R531, 32	ERDS2TJ332T	1/4W 3.3K	2	[W]
R533, 34	ERDS2TJ473T	1/4W 47K	2	[W]
R535, 36	ERDS2FJ392	1/4W 3.9K	2	[W]
R537, 38	ERDS2TJ103T	1/4W 10K	2	[W]
R539, 40	ERDS2FJ272	1/4W 2.7K	2	[W]
R541, 42	ERDS2FJ682	1/4W 6.8K	2	[W]
R543, 44	ERDS2TJ102T	1/4W 1K	2	[W]
R545	ERDS2TJ684T	1/4W 680K	1	[W]
R546	ERDS2TJ332T	1/4W 3.3K	1	[W]
R547	ERDS2TJ103T	1/4W 10K	1	[W]
R548	ERDS2FJ392	1/4W 3.9K	1	[W]
R549	ERDS2TJ222T	1/4W 2.2K	1	[W]
R550-52	ERDS2TJ102T	1/4W 1K	3	[W]
R553, 54	ERDS2TJ104T	1/4W 100K	2	[W]
R555, 56	ERDS2TJ223T	1/4W 22K	2	[W]
R557, 58	ERDS2TJ471T	1/4W 470	2	[W]
R559, 60	ERDS2TJ222T	1/4W 2.2K	2	[W]
R561, 62	ERDS2TJ102T	1/4W 1K	2	[W]
R563, 64	ERDS2TJ104T	1/4W 100K	2	[W]
R565	ERDS2TJ223T	1/4W 22K	1	[W]
R567	ERDS2TJ471T	1/4W 470	1	[W]
R569, 70	ERDS2TJ332T	1/4W 3.3K	2	[W]
R571, 72	ERDS2TJ222T	1/4W 2.2K	2	[W]
R573-78	ERDS2TJ102T	1/4W 1K	6	[W]
R579	ERDS2FJ122	1/4W 1.2K	1	[W]
R580	ERDS2TJ102T	1/4W 1K	1	[W]
R581	ERDS2TJ332T	1/4W 3.3K	1	[W]
R582-88	ERDS2TJ102T	1/4W 1K	7	[W]
R589	ERDS2TJ182T	1/4W 1.8K	1	[W]
R590	ERDS2TJ473T	1/4W 47K	1	[W]
R591, 92	ERDS2TJ222T	1/4W 2.2K	2	[W]
R593	ERDS2TJ100T	1/4W 10	1	[W]

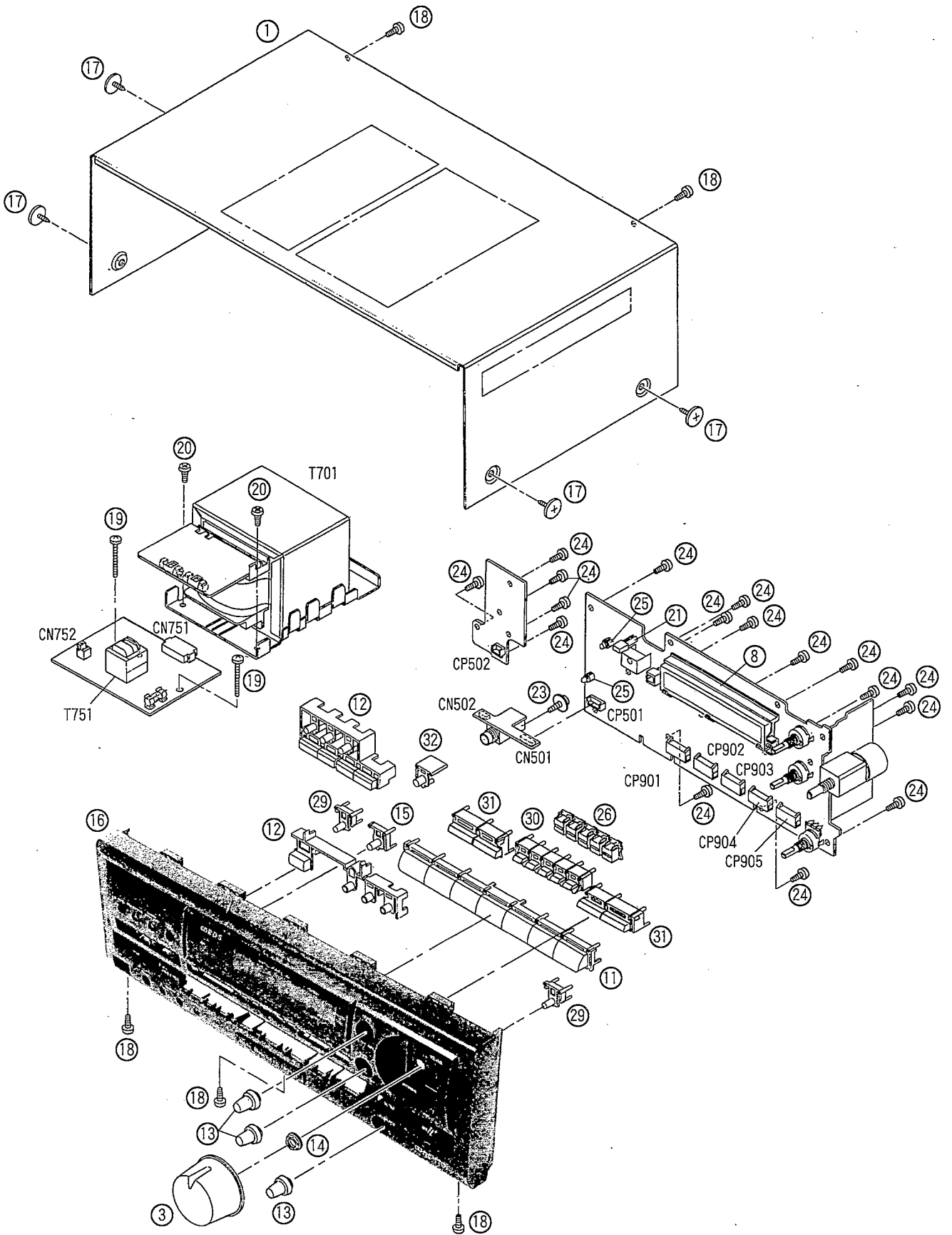
Ref. No.	Part No.	Part Name & Description	Pcs	Remarks	Ref. No.	Part No.	Part Name & Description	Pcs	Remarks
R594	ERDS2TJ103T	1/4W 10K	1	[W]	R729	ERDS2TJ684T	1/4W 680K	1	[W]
R595	ERDS2TJ473T	1/4W 47K	1	[W]	△ R730	ERDS1FJ5R6	1/2W 5. 6	1	[W]
R596	ERDS2TJ102T	1/4W 1K	1	[W]	△ R732	ERDS1FJ150	1/2W 15	1	[W]
R597, 98	ERDS2FJ272	1/4W 2. 7K	2	[W]	R754	ERDS2TJ102T	1/4W 1K	1	[W]
R599-02	ERDS2TJ102T	1/4W 1K	4	[W]	R771, 72	ERDS2TJ473T	1/4W 47K	2	[W]
R603, 04	ERDS2TJ563T	1/4W 56K	2	[W]	R773	ERDS2TJ103T	1/4W 10K	1	[W]
R605, 06	ERDS2TJ182T	1/4W 1. 8K	2	[W]	R774	ERDS2TJ335T	1/4W 3. 3W	1	[W]
R607, 08	ERDS2TJ563T	1/4W 56K	2	[W]	R775	ERDS2TJ331T	1/4W 330	1	[W]
R609, 10	ERDS2TJ470T	1/4W 47	2	[W]	△ R776	ERDS1FJ4R7	1/2W 4. 7	1	[W]
△ R611, 12	ERDS1FJ100	1/2W 10	2	[W]	R777	ERDS2FJ224	1/4W 220K	1	[W]
R613, 14	ERDS2TJ102T	1/4W 1K	2	[W]	R778	ERDS2TJ472T	1/4W 4. 7K	1	[W]
R615	ERDS2FJ184	1/4W 180K	1	[W]	R779	ERDS2TJ103T	1/4W 10K	1	[W]
R616	ERDS2TJ154T	1/4W 150K	1	[W]	R782	ERDS2TJ470T	1/4W 47	1	[W]
R617, 18	ERDS2TJ473T	1/4W 47K	2	[W]	R783	ERDS2TJ103T	1/4W 10K	1	[W]
R619	ERDS2TJ223T	1/4W 22K	1	[W]	R784	ERDS2TJ154T	1/4W 150K	1	[W]
△ R620	ERD25FVJ220T	1/2W 22	1	[W]	R785	ERDS2TJ103T	1/4W 10K	1	[W]
△ R621, 22	ERDS2FJ680	1/4W 68	2	[W]	R786	ERDS2TJ154T	1/4W 150K	1	[W]
R623	ERDS2TJ104T	1/4W 100K	1	[W]	R791-96	ERDS2TJ223T	1/4W 22K	6	[W]
R624, 25	ERDS2TJ154T	1/4W 150K	2	[W]	R797	ERDS2FJ682	1/4W 6. 8K	1	[W]
R626	ERDS2TJ332T	1/4W 3. 3K	1	[W]	R798	ERDS2TJ223T	1/4W 22K	1	[W]
R627	ERDS2TJ155T	1/4W 1. 5W	1	[W]	R799	ERDS2FJ682	1/4W 6. 8K	1	[W]
R628	ERDS2TJ223T	1/4W 22K	1	[W]	R901	ERDS2TJ102T	1/4W 1K	1	[W]
R629, 30	ERDS2FJ682	1/4W 6. 8K	2	[W]	R906-09	ERDS2TJ104T	1/4W 100K	4	[W]
R631	ERDS2TJ123T	1/4W 12K	1	[W]	R910	ERDS2TJ102T	1/4W 1K	1	[W]
R632	ERDS2TJ472T	1/4W 4. 7K	1	[W]	R911	ERDS2TJ104T	1/4W 100K	1	[W]
R633	ERDS2TJ123T	1/4W 12K	1	[W]	R913	ERDS2TJ103T	1/4W 10K	1	[W]
R634	ERDS2TJ472T	1/4W 4. 7K	1	[W]	R917	ERDS2TJ103T	1/4W 10K	1	[W]
△ R635, 36	ERDS2FJ330	1/4W 33	2	[W]	R920	ERDS2TJ271T	1/4W 270	1	[W]
R637-40	ERGS1J101	1W 100	4	[W]	R921	ERDS2TJ121T	1/4W 120	1	[W]
R641	ERDS2TJ332T	1/4W 3. 3K	1	[W]	R922	ERDS2TJ472T	1/4W 4. 7K	1	[W]
R642	ERDS2TJ104T	1/4W 100K	1	[W]	R924	ERDS2TJ333T	1/4W 33K	1	[W]
R643	ERDS2TJ393T	1/4W 39K	1	[W]	R926	ERDS2TJ121T	1/4W 120	1	[W]
△ R645, 46	ERD2FCG220	1/4W 22	2	[W]	R927	ERDS2FJ181	1/4W 180	1	[W]
R647, 48	ERDS2TJ221T	1/4W 220	2	[W]	R928	ERDS2TJ121T	1/4W 120	1	[W]
△ R649, 50	ERDS2FJ680	1/4W 68	2	[W]	R929, 30	ERDS2TJ101T	1/4W 100	2	[W]
R651, 52	ERDS2TJ102T	1/4W 1K	2	[W]	R936, 37	ERDS2TJ104T	1/4W 100K	2	[W]
R653, 54	ERDS2TJ563T	1/4W 56K	2	[W]	R941	ERDS2TJ472T	1/4W 4. 7K	1	[W]
R655, 56	ERDS2TJ182T	1/4W 1. 8K	2	[W]	R943	ERDS2TJ102T	1/4W 1K	1	[W]
R657, 58	ERDS2TJ563T	1/4W 56K	2	[W]	R944, 45	ERDS2TJ104T	1/4W 100K	2	[W]
R659, 60	ERDS2TJ470T	1/4W 47	2	[W]	R946-49	ERDS2TJ103T	1/4W 10K	4	[W]
△ R661, 62	ERDS1FJ100	1/2W 10	2	[W]	R950	ERDS2TJ102T	1/4W 1K	1	[W]
R663, 64	ERDS2TJ102T	1/4W 1K	2	[W]	R951	ERDS2TJ122T	1/4W 1. 2K	1	[W]
R665	ERDS2FJ184	1/4W 180K	1	[W]	R952	ERDS2TJ152T	1/4W 1. 5K	1	[W]
R666	ERDS2TJ154T	1/4W 150K	1	[W]	R953	ERDS2TJ182T	1/4W 1. 8K	1	[W]
R667	ERDS2TJ102T	1/4W 1K	1	[W]	R954	ERDS2TJ222T	1/4W 2. 2K	1	[W]
R668	ERDS2TJ563T	1/4W 56K	1	[W]	R955	ERDS2TJ332T	1/4W 3. 3K	1	[W]
R669	ERDS2TJ182T	1/4W 1. 8K	1	[W]	R956	ERDS2TJ472T	1/4W 4. 7K	1	[W]
R670	ERDS2TJ563T	1/4W 56K	1	[W]	R957	ERDS2FJ682	1/4W 6. 8K	1	[W]
△ R671, 72	ERDS2FJ680	1/4W 68	2	[W]	R958	ERDS2TJ123T	1/4W 12K	1	[W]
R673	ERDS2TJ470T	1/4W 47	1	[W]	R960	ERDS2TJ102T	1/4W 1K	1	[W]
△ R674	ERDS1FJ100	1/2W 10	1	[W]	R961	ERDS2TJ122T	1/4W 1. 2K	1	[W]
R675	ERDS2TJ102T	1/4W 1K	1	[W]	R962	ERDS2TJ152T	1/4W 1. 5K	1	[W]
△ R676	ERDS2FJ330	1/4W 33	1	[W]	R963	ERDS2TJ182T	1/4W 1. 8K	1	[W]
R677	ERDS2TJ274T	1/4W 270K	1	[W]	R964	ERDS2TJ222T	1/4W 2. 2K	1	[W]
R678	ERDS2FJ184	1/4W 180K	1	[W]	R965	ERDS2TJ332T	1/4W 3. 3K	1	[W]
R679	ERDS2FJ330	1/4W 33	1	[W]	R970	ERDS2TJ102T	1/4W 1K	1	[W]
R680	ERDS2TJ221T	1/4W 220	1	[W]	R971	ERDS2TJ122T	1/4W 1. 2K	1	[W]
R681-94	ERDS2FJ270	1/4W 27	14	[W]	R972	ERDS2TJ152T	1/4W 1. 5K	1	[W]
R695, 96	ERDS2TJ102T	1/4W 1K	2	[W]	R973	ERDS2TJ182T	1/4W 1. 8K	1	[W]
R697, 98	ERDS2TJ221T	1/4W 220	2	[W]	R974	ERDS2TJ222T	1/4W 2. 2K	1	[W]
R699	ERDS2TJ332T	1/4W 3. 3K	1	[W]	R975	ERDS2TJ332T	1/4W 3. 3K	1	[W]
△ R703, 04	ERDS1FJ3R9	1/2W 3. 9	2	[W]	R976	ERDS2TJ472T	1/4W 4. 7K	1	[W]
R705	ERDS2TJ472T	1/4W 4. 7K	1	[W]	R980	ERDS2TJ102T	1/4W 1K	1	[W]
R706	ERDS2TJ102T	1/4W 1K	1	[W]	R981	ERDS2TJ122T	1/4W 1. 2K	1	[W]
△ R707	ERDS2FJ221	1/4W 220	1	[W]	R982	ERDS2TJ152T	1/4W 1. 5K	1	[W]
R708	ERDS2TJ152T	1/4W 1. 5K	1	[W]	R983	ERDS2TJ182T	1/4W 1. 8K	1	[W]
R709, 10	ERDS2FJ1R5	1/4W 1. 5	2	[W]	R984	ERDS2TJ222T	1/4W 2. 2K	1	[W]
R711	ERDS2FJ752	1/4W 7. 5K	1	[W]	R990	ERDS2TJ153T	1/4W 15K	1	[W]
R712	ERDS2FJ682	1/4W 6. 8K	1	[W]	R1001-04	ERDS2TJ102T	1/4W 1K	4	[W]
R713, 14	ERDS2TJ390T	1/4W 39	2	[W]	R1005	ERDS2FJ203	1/4W 20K	1	[W]
△ R721	ERDS1FJ561	1/2W 560	1	[W]	R1007, 08	ERDS2TJ473T	1/4W 47K	2	[W]
R722	ERDS2TJ123T	1/4W 12K	1	[W]	R1009-11	ERDS2TJ332T	1/4W 3. 3K	3	[W]
△ R723, 24	ERDS1FJ100	1/2W 10	2	[W]	R1012	ERDS2TJ102T	1/4W 1K	1	[W]
R725	ERDS2TJ821T	1/4W 820	1	[W]	R1013	ERDS2TJ103T	1/4W 10K	1	[W]
△ R726, 27	ERD25FVJ331T	1/4W 330	2	[W]	R1014	ERDS2TJ104T	1/4W 100K	1	[W]

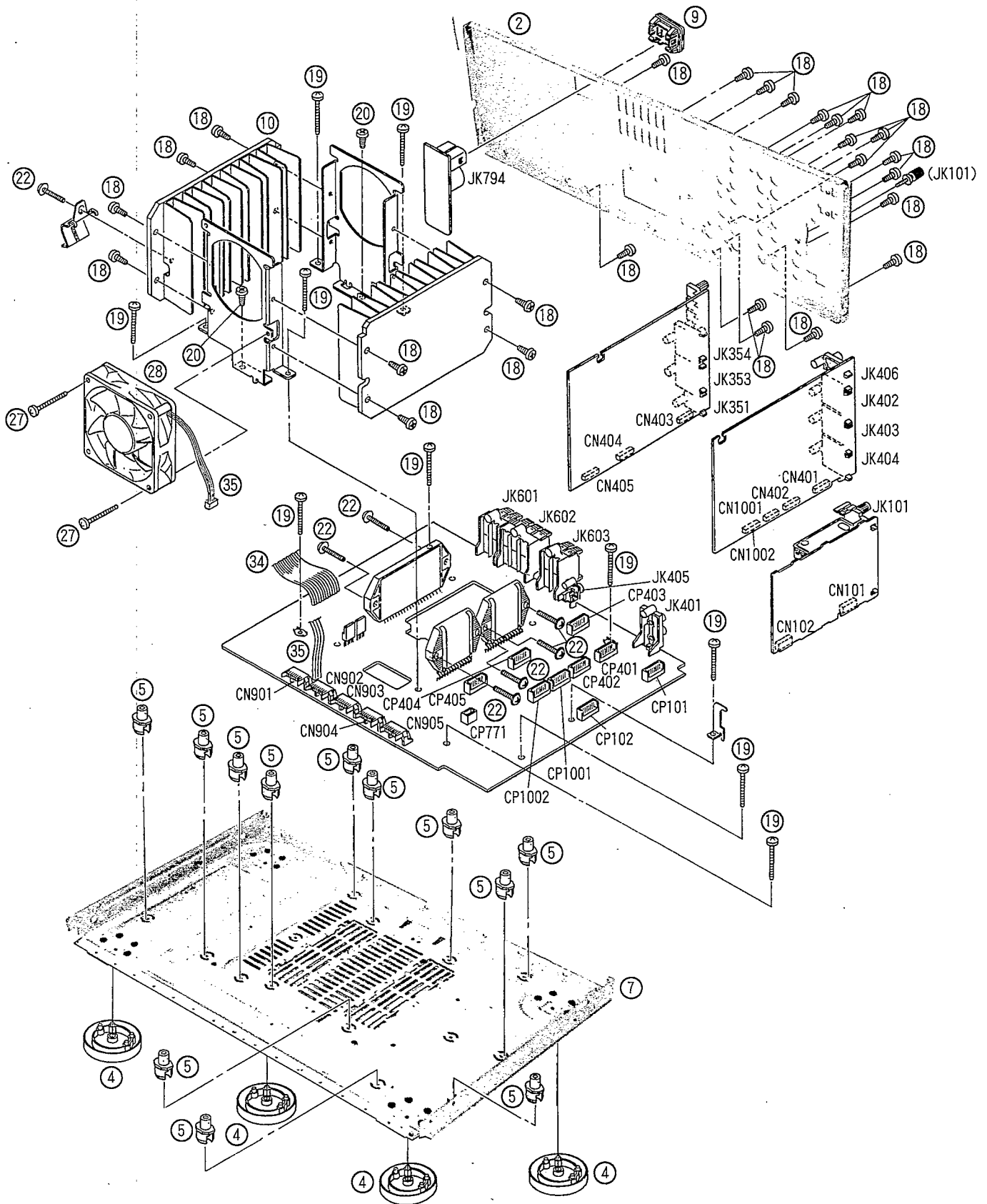
Ref. No.	Part No.	Part Name & Description	Pcs	Remarks
R1051	ERDS2TJ393T	1/4W 39K	1	[M]
R1052	ERDS2FJ105	1/4W 1M	1	[M]
R1053	ERDS2TJ102T	1/4W 1K	1	[M]
R1055	ERDS2FJ224	1/4W 220K	1	[M]
R1056	ERDS2TJ153T	1/4W 15K	1	[M]
R1061	ERDS2TJ222T	1/4W 2.2K	1	[M]
R1062	ERDS2TJ273T	1/4W 27K	1	[M]
R1063	ERDS2TJ332T	1/4W 3.3K	1	[M]
R1151, 52	ERDS2TJ473T	1/4W 47K	2	[M]
R1154	ERDS2TJ273T	1/4W 27K	1	[M]
R1155, 56	ERDS2TJ393T	1/4W 39K	2	[M]
R1158	ERDS2TJ104T	1/4W 100K	1	[M]
R1160	ERDS2TJ104T	1/4W 100K	1	[M]
R469, 70	ERDS2TJ102T	1/4W 1K	2	[M] (E)
△ RL601-04	RSY0013M-0	RELAY	4	[M]
△ RL751	RSY0019M-0	RELAY	1	[M]
S946	EVQ21405R	SW	1	[M]
S948	EVQ21405R	SW	1	[M]
S950-58	EVQ21405R	SW	9	[M]
S955	EVQ21405R	SW	1	[M]
S970-76	EVQ21405R	SW	7	[M]
S980-85	EVQ21405R	SW	6	[M]
S991-96	EVQ21405R	SW	6	[M]
△ T701	RTP1Q5B003-V	POWER TRANSFORMER	1	[M]
△ T751	RTP115E006	POWER TRANSFORMER	1	[M]
VR401-03	EVUE3AE20B15	VOLUME	3	[M]
VR501	EUWM6A026B15	VOLUME	1	[M]
VR502	EWCOYAF15G15	VOLUME	1	[M]
VR511, 12	EWCI1XA016C15	VOLUME	2	[M]
X101	RSX2456KM07M	OSCILLATOR	1	[M]
X102	RLFDGTD011	OSCILLATOR	1	[M]
X103	SVQ49U722T-S	OSCILLATOR	1	[M]
Z101	RLA22002M-T	COMPONENT COMBINATION	1	[M]
Z102	RL122006M-T	COMPONENT COMBINATION	1	[M]
Z120	ENV17290G1R	FM FRONT END	1	[M]
△ Z751	ERZV10V511CS	COMPONENT COMBINATION	1	[M]
Z891	RCDSFS4242N	REMOTE SENSOR	1	[M]

## ■ Packaging

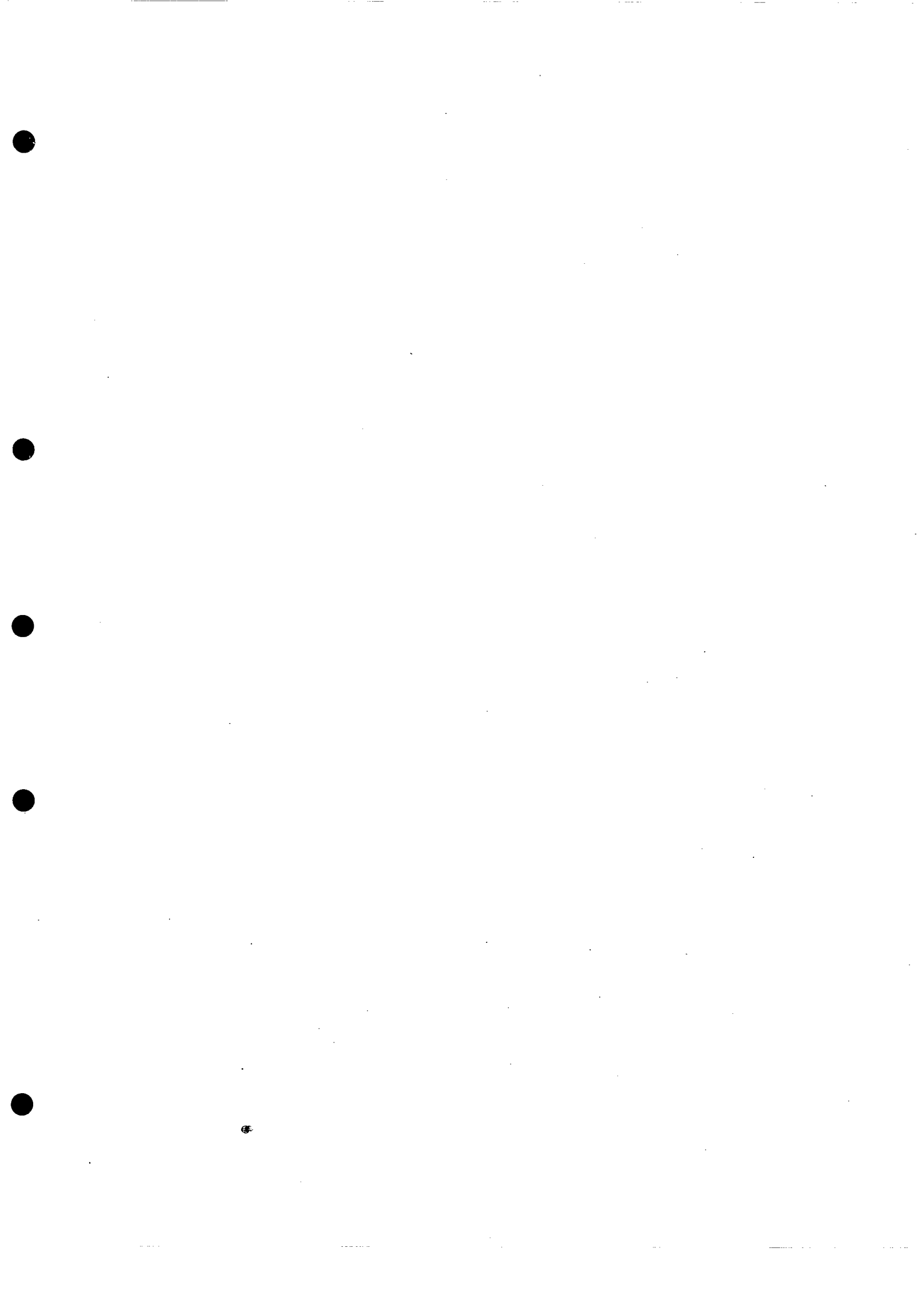


# ■ Cabinet Parts Location









371

0